

# CABLE TIES

## 尼龍束帶

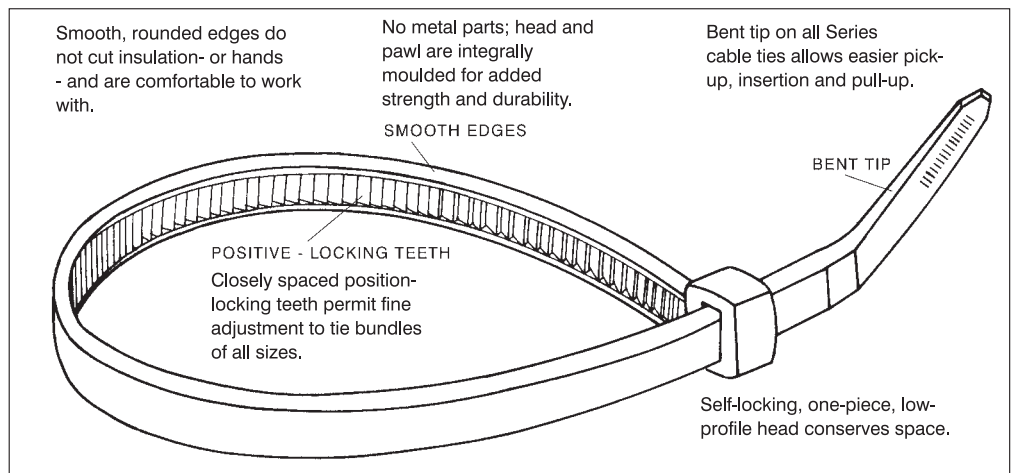
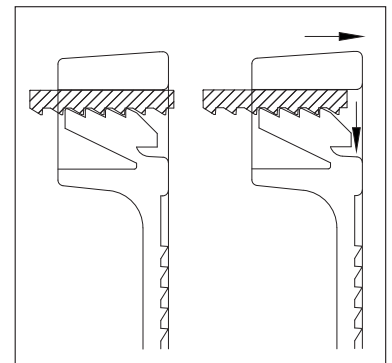


A. Our ties meet most basic cable tie needs, with choices covering a wide range of requirements for size and strength. One-piece, injection-moulded construction provides maximum strength and adjustability for securing all sizes of bundles. Extra features such as rounded edges and bent-tip design make installation easy, fast, accurate and secure.

B. Split mandrel, loop tensile strength tests show that the most vulnerable stress point for a nylon cable tie is its pawl. There is a trade-off between insertion / pull-up ease and strength of a cable tie. The stronger the pawl, the more force is required to insert and pull up the strap as it engages the pawl teeth. Cable ties are designed to optimize insertion ease and still meet or exceed all applicable strength requirements.

C. Refer to left SKETCH, the magnified cross-section illustrates our full four-tooth locking engagement between strap and pawl under load. We use CAD / CAE & CAM process to design four tooth locking. This intimate contact between pawl and strap teeth ensures that the strength of the pawl is fully utilized.

1. 本公司生產的束帶尺寸齊全，符合使用需求，一體射出成形的構造於使用上提供最佳拉力，及適用不同束徑尺寸的捆綁。束帶圓弧邊緣與尾部易穿易拉的設計更讓安裝簡單、快速、精準、安全。
2. 從拉力機測試證明，尼龍束帶最易斷裂的就在齒部。而束帶設計的好壞也在於其使用上是否易穿易拉，符合所需的機能及拉力標準。
3. 從左邊圖示得知，永裕所採用之完整CAD / CAE及CAM等電腦輔助工程所設計之四齒束帶，在穿拉動作時，齒部帶身之精密配合，使齒部堅韌的抗拉動作得以發揮比UL所規定更佳之拉力及機能。



### Certificate of Compliance

E118226 (R)

YY Cable Ties were tested according to the current UL requirement:

UL 62275 – Cable Management Systems – Cable Ties for Electrical Installations

CSA C22.2 No. 62275-10 – Standard for Cable Management Systems – Cable Ties for Electrical Installations

USL, CNL: Non Metallic Cable Ties

Cat Nos.: TSL-80-M, TSL-100-M, TSL-120-M, TSL-140-M, TSL-160-M, TSL-200-M, TSL-140-I, TSL-150-I, TSL-180-I, TSL-200-I, TSL-250-I, TSL-300-I, TSL-370-I, TSL-120-S, TSL-160-S, TSL-190-S, TSL-200-S, TSL-250-S, TSL-290-S, TSL-300-S, TSL-370-S, TSL-385-S, TSL-430-S, TSL-500-S, TSL-530-S, TSL-150-LHD, TSL-200-LHD, TSL-290-LHD, TSL-370-LHD, TSL-450-LHD, TSL-540-LHD, TSL-430-HD, TSL-530-HD, TSL-610-HD, TSL-710-HD, TSL-770-HD, TSL-800-HD, TSL-910-HD, TSL-950-HD, TSL-1020-HD, TSL-1200-HD, TSL-1530-HD, TSL-240-EHD, TSL-300-EHD, TSL-400-EHD, TSL-500-EHD, TSL-600-EHD, TSL-700-EHD, TSL-800-EHD, TSL-1030-EHD, RT-150-S, RT-200-S, RT-300-S, RT-385-S

USL, CNL: Non Metallic Cable Ties with Integral Fixing Device

Cat Nos.: MHT-150-I, MHT-200-S, MHT-300-S, MHT-370-LHD

# CABLE TIES

## 尼龍束帶



### Y.Y. CABLE TIES

品名 ITEM NO.	長度 LENGTH mm (inch)	寬度 WIDTH mm (inch)	最大束徑 MAX. DIA. mm	最小拉力 MIN. STRENGTH kg (lbs)	包裝 PACKING
TSL-80-M	78 ( 3.0")	2.5±0.15 (0.10"±0.006")	15	8 (18)	100pcs /1000pcs
TSL-100-M	100 ( 4.0")		21		
TSL-120-M	116 ( 4.6")		28		
TSL-140-M	140 ( 5.5")		34		
TSL-160-M	161 ( 6.3")		40		
TSL-200-M	203 ( 8.0")		55		
TSL-140-I	142 ( 5.5")	3.5±0.3 (0.14"±0.012")	34	18 (40)	
TSL-150-I	150 ( 6.0")		37		
TSL-180-I	180 ( 7.1")		47		
TSL-200-I	201 ( 8.0")		54		
TSL-250-I	250 ( 9.8")		70		
TSL-300-I	290 (11.4")		82		
TSL-370-I	372 (14.6")	106	22 (50)		
TSL-120-S	121 ( 4.8")	4.6±0.3 (0.18"±0.012")		25	
TSL-160-S	157 ( 6.2")			40	
TSL-190-S	188 ( 7.4")			54	
TSL-200-S	199 ( 8.0")			54	
TSL-250-S	250 ( 9.8")			68	
TSL-290-S	288 (11.0")			81	
TSL-300-S	302 (11.9")			84	
TSL-370-S	371 (14.6")			106	
TSL-385-S	387 (15.2")			114	
TSL-430-S	430 (16.9")		125		
TSL-500-S	507 (20.0")	151	54 (120)		
TSL-530-S	533 (21.0")	160			
TSL-150-LHD	149 ( 5.9")	7.5±0.3 (0.30"±0.012")		35	
TSL-200-LHD	200 ( 8.0")			54	
TSL-290-LHD	290 (11.4")			82	
TSL-370-LHD	370 (14.5")			106	
TSL-450-LHD	450 (17.7")		130		
TSL-540-LHD	541 (21.3")		160		
TSL-430-HD	430 (16.9")	8.7±0.4 (0.34"±0.015")	120	79 (175)	100pcs
TSL-530-HD	530 (20.9")		150		
TSL-610-HD	613 (24.0")		175		
TSL-710-HD	709 (27.9")		185		
TSL-770-HD	774 (30.5")		220		
TSL-800-HD	800 (31.5")		235		
TSL-910-HD	920 (36.0")		278		
TSL-950-HD	940 (37.0")		284		
TSL-1020-HD	1160 (45.7")		355		
TSL-1200-HD	1220 (48.0")		374		
TSL-1530-HD	1530 (60.2")	460	114 (250)		
TSL-240-EHD	246 ( 9.7")	12.4±0.45 (0.49"±0.018")		64	
TSL-300-EHD	293 (11.5")			81	
TSL-400-EHD	404 (15.9")			114	
TSL-500-EHD	510 (20.1")			150	
TSL-600-EHD	618 (24.3")			181	
TSL-700-EHD	724 (28.5")			216	
TSL-800-EHD	830 (32.7")		248		
TSL-1030-EHD	1020 (40.2")	300			

# CABLE TIES

## 尼龍束帶

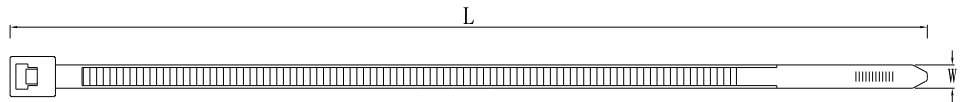


- Material: Nylon 6/6
- Flammability: UL 94V-2
- Working Temp.: -40°C to 85°C
- Color: stock in natural & black (other colors are also available)
- Made to comply with MIL-SPEC M20693B, tensile strength meet or exceed MIL-S 23190E Standard
- Remark: complete range, stable quality and low insertion

### Y.Y. CABLE TIES

#### (01) 尼龍束帶

- ◎材質：Nylon 6/6
- ◎防火等級：UL 94V-2
- ◎顏色：本色、黑色
- ◎特點：規格齊全、品質穩固



### MINIATURE CROSS SECTION

品名 ITEM NO.	長度 LENGTH mm (inch)	寬度 WIDTH mm (inch)	最大束徑 MAX. DIA. mm	最小拉力 MIN. STRENGTH kg (lbs)	包裝 PACKING
TSL-80-M	78 (3.0")	2.5±0.15 (0.10"±0.006")	15	8 (18)	100pcs /1000pcs
TSL-100-M	100 (4.0")		21		
TSL-120-M	116 (4.6")		28		
TSL-140-M	140 (5.5")		34		
TSL-160-M	161 (6.3")		40		
TSL-200-M	203 (8.0")		55		

### INTERMEDIATE CROSS SECTION

品名 ITEM NO.	長度 LENGTH mm (inch)	寬度 WIDTH mm (inch)	最大束徑 MAX. DIA. mm	最小拉力 MIN. STRENGTH kg (lbs)	包裝 PACKING
TSL-140-I	142 (5.5")	3.5±0.3 (0.14"±0.012")	34	18 (40)	100pcs /1000pcs
TSL-150-I	150 (6.0")		37		
TSL-180-I	180 (7.1")		47		
TSL-200-I	201 (8.0")		54		
TSL-250-I	250 (9.8")		70		
TSL-300-I	290 (11.4")		82		
TSL-370-I	372 (14.6")		106		

### STANDARD CROSS SECTION

品名 ITEM NO.	長度 LENGTH mm (inch)	寬度 WIDTH mm (inch)	最大束徑 MAX. DIA. mm	最小拉力 MIN. TRENGTH kg (lbs)	包裝 PACKING
TSL-120-S	121 (4.8")	4.6±0.3 (0.18"±0.012")	25	22 (50)	100pcs /1000pcs
TSL-160-S	157 (6.2")		40		
TSL-190-S	188 (7.4")		54		
TSL-200-S	199 (8.0")		54		
TSL-250-S	250 (9.8")		68		
TSL-290-S	288 (11.0")		81		
TSL-300-S	302 (11.9")		84		
TSL-370-S	371 (14.6")		106		100pcs
TSL-385-S	387 (15.2")		114		
TSL-430-S	430 (16.9")		125		
TSL-500-S	507 (20.0")		151		
TSL-530-S	533 (21.0")		160		

# CABLE TIES

## 尼龍束帶



SINCE 1964

### LIGHT HEAVY DUTY CROSS SECTION

品名 ITEM NO.	長度 LENGTH mm (inch)	寬度 WIDTH mm (inch)	最大束徑 MAX. DIA. mm	最小拉力 MIN. STRENGTH kg (lbs)	包裝 PACKING
TSL-150-LHD	149 (5.9")	7.5±0.3 (0.30"±0.012")	35	54 (120)	100pcs
TSL-200-LHD	200 (8.0")		54		
TSL-290-LHD	290 (11.4")		82		
TSL-370-LHD	370 (14.5")		106		
TSL-450-LHD	450 (17.7")		130		
TSL-540-LHD	541 (21.3")		160		

### HEAVY DUTY CROSS SECTION

品名 ITEM NO.	長度 LENGTH mm (inch)	寬度 WIDTH mm (inch)	最大束徑 MAX. DIA. mm	最小拉力 MIN. STRENGTH kg (lbs)	包裝 PACKING
TSL-430-HD	430 (16.9")	8.7±0.4 (0.34"±0.015")	120	79 (175)	100pcs
TSL-530-HD	530 (20.9")		150		
TSL-610-HD	613 (24.0")		175		
TSL-710-HD	709 (27.9")		185		
TSL-770-HD	774 (30.5")		220		
TSL-800-HD	800 (31.5")		235		
TSL-910-HD	920 (36.0")		278		
TSL-950-HD	940 (37.0")		284		
TSL-1020-HD	1160 (45.7")		355		
TSL-1200-HD	1220 (48.0")		374		
TSL-1530-HD	1530 (60.2")		460		

### EXTRA HEAVY DUTY CROSS SECTION

品名 ITEM NO.	長度 LENGTH mm (inch)	寬度 WIDTH mm (inch)	最大束徑 MAX. DIA. mm	最小拉力 MIN. STRENGTH kg (lbs)	包裝 PACKING
TSL-240-EHD	246 (9.7")	12.4±0.45 (0.49"±0.018")	64	114 (250)	100pcs
TSL-300-EHD	293 (11.5")		81		
TSL-400-EHD	404 (15.9")		114		
TSL-500-EHD	510 (20.1")		150		
TSL-600-EHD	618 (24.3")		181		
TSL-700-EHD	724 (28.5")		216		
TSL-800-EHD	830 (32.7")		248		
TSL-1030-EHD	1020 (40.2")		300		